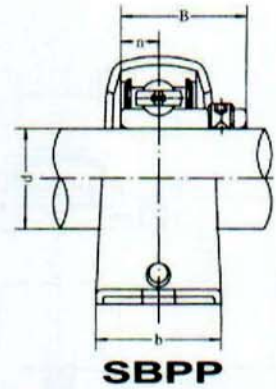
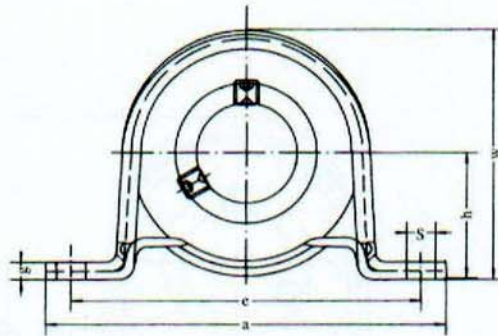
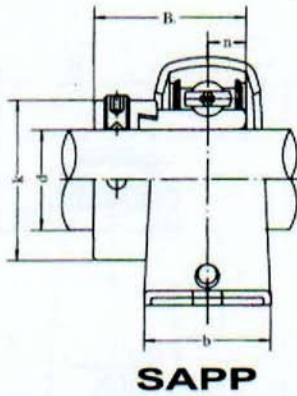




**SAPP2**  
(SA2-Fitted)

**Pressed Honsing Pillow Blocks**  
(Light-duty)

**SBPP2**  
(SB2-Fitted)

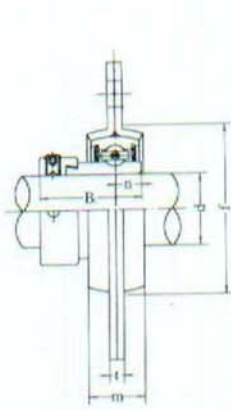


Unit No.	Dimensions								Bolt used mm in.	SAPP				SBPP				Housing No.
	d	h	a	e	b	s	g	w		B <sub>i</sub>	n	Bearing No.	Weight (kg)	B	n	Bearing No.	Weight (kg)	
<b>SAPP</b> <b>SBPP</b> 201	12	22.2	86	68	25	9.5	3.2	43.8	M8	28.6	6.5	SA201		22	6	SB201		PP203
201-8	1/2											SA201-8				SB201-8		
202	15											SA202				SB202		
202-9	9/16	7/8	3-3/8	2-43/64	63/64	3/8	0.126	1-23/32	5/16	1.1260	0.2559	SA202-9	0.19	0.8661	0.2362	SB202-9	0.16	
202-10	5/8											SA202-10				SB202-10		
203	17											SA203				SB203		
203-11	11/16											SA203-11				SB203-11		
<b>SAPP</b> <b>SBPP</b> 204	20	25.4	98	76	32	9.5	3.2	50.5	M8	31	7.5	SA204		25	7	SB204		PP204
204-12	3/4	1	3-27/32	2-63/64	1-1/4	3/8	0.126	1-63/64	5/16	1.2204	0.2953	SA204-12	0.23	0.9843	0.2756	SB204-12	0.23	
<b>SAPP</b> <b>SBPP</b> 205	25	28.6	108	86	32	11.5	4	56.6	M10	31	7.5	SA205		27	7.5	SB205		PP205
205-13	13/16											SA205-13				SB205-13		
205-14	7/8	1-1/8	4-1/4	3-25/64	1-1/4	29/64	0.157	2-15/64	3/8	1.2204	0.2953	SA205-14	0.32	1.0630	0.2953	SB205-14	0.28	
205-15	15/16											SA205-15				SB205-15		
205-16	1											SA205-16				SB205-16		
<b>SAPP</b> <b>SBPP</b> 206	30	33.3	117	95	38	11.5	4	66.3	M10	35.7	9	SA206		30	8	SB206		PP206
206-17	1-1/16											SA206-17				SB206-17		
206-18	1-1/8	1-5/16	4-39/64	3-47/64	1-1/2	29/64	0.157	2-39/64	3/8	1.4055	0.3543	SA206-18	0.50	1.1811	0.3150	SB206-18	0.47	
206-19	1-3/16											SA206-19				SB206-19		
206-20	1-1/4											SA206-20				SB206-20		
<b>SAPP</b> <b>SBPP</b> 207	35	39.7	129	106	42	11.5	4.6	78	M10	38.9	9.5	SA207		32	8.5	SB207		PP207
207-20	1-1/4											SA207-20				SB207-20		
207-21	1-5/16	1-9/16	5-5/64	4-5/32	1-21/32	29/64	0.181	3-1/8	3/8	1.5315	0.3740	SA207-21	0.71	1.2598	0.3346	SB207-21	0.57	
207-22	1-3/8											SA207-22				SB207-22		
207-23	1-7/16											SA207-23				SB207-23		

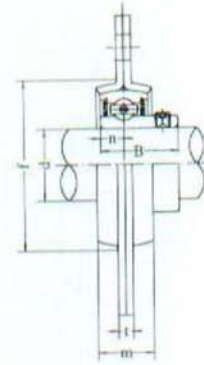
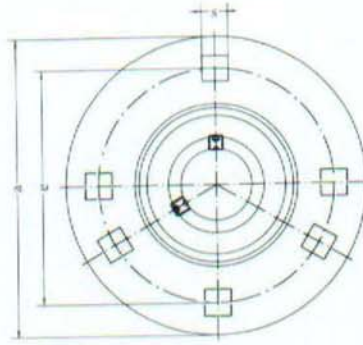
**SAPF2**  
(SA2-Fitted)

**Pressed Housing Flange Units**  
(Light-duty)

**SBPF2**  
(SB2-Fitted)



SAPF



SBPF

Unit No.	Dimensions <sup>mm</sup> <sub>In.</sub>							Bolt used <sup>mm</sup> <sub>In.</sub>	SAPF				SBPF				Housing No.
	d	a	e	m	s	t	f (min)		B <sub>1</sub>	n	Bearing No.	Weight (kg)	B	n	Bearing No.	Weight (kg)	
<b>SAPF</b> <b>SBPF</b> 201	12	81	63.5	14	7.1	4	49	M6	28.6	6.5	SA201		22	6	SB201		PF203
201-8	1/2										SA201-8				SB201-8		
202	15										SA202				SB202		
202-9	9/16	3-3/16	2-1/2	9/16	9/32	0.157	1-59/64	1/4	1.1260	0.2559	SA202-9	0.3	0.8661	0.2362	SB202-9	0.27	
202-10	5/8										SA202-10				SB202-10		
203	17										SA203				SB203		
203-11	11/16										SA203-11				SB203-11		
<b>SAPF</b> <b>SBPF</b> 204	20	90	71.5	16	9	4	56	M8	31	7.5	SA204		25	7	SB204	0.33	PF204
204-12	3/4	3-35/64	2-13/16	5/8	23/64	0.157	2-13/64	5/16	1.2204	0.2953	SA204-12	0.33	0.9843	0.2756	SB204-12		
<b>SAPF</b> <b>SBPF</b> 205	25	95	76	18	9	4	60	M8	31	7.5	SA205		27	7.5	SB205		PF205
205-13	13/16										SA205-13				SB205-13	0.38	
205-14	7/8	3-3/4	2-63/64	23/32	23/64	0.157	2-23/64	5/16	1.2204	0.2953	SA205-14	0.42	1.0630	0.2953	SB205-14		
205-15	15/16										SA205-15				SB205-15		
205-16	1										SA205-16				SB205-16		
<b>SAPF</b> <b>SBPF</b> 206	30	113	90.5	18	11	5.2	71	M10	35.7	9	SA206		30	8	SB206		PF206
206-17	1-1/16										SA206-17				SB206-17		
206-18	1-1/8										SA206-18				SB206-18	0.82	
206-19	1-3/16	4-7/16	3-9/16	23/32	7/16	0.205	2-51/64	3/8	1.4055	0.3543	SA206-19	0.65	1.1811	0.3150	SB206-19		
206-20	1-1/4										SA206-20				SB206-20		
<b>SAPF</b> <b>SBPF</b> 207	35	122	100	20	11	5.2	81	M10	38.9	9.5	SA207		32	8.5	SB207		PF207
207-20	1-1/4										SA207-20				SB207-20	0.82	
207-21	1-9/16	4-13/16	3-15/16	25/32	7/16	0.205	3-3/16	3/8	1.5315	0.3740	SA207-21	0.9	1.2598	0.3346	SB207-21		
207-22	1-3/8										SA207-22				SB207-22		
207-23	1-7/16										SA207-23				SB207-23		
<b>SAPF</b> <b>SBPF</b> 208	40	148	119	21	13.5	6.8	91	M12	43.7	11	SA208		34	9	SB208	1.1	PF208
208-24	1-1/2	5-13/16	4-11/16	13/16	17/32	0.268	3-37/64	1/2	1.7205	0.4331	SA208-24	1.15	1.3386	0.3543	SB208-24		
208-25	1-9/16										SA208-25				SB208-25		

\*Note:PF208 with 4 bolt-hole

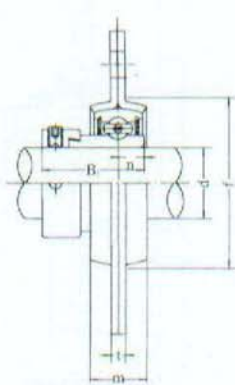




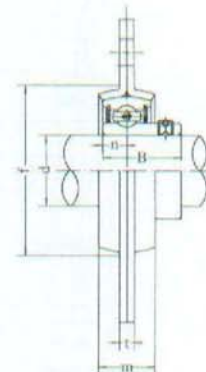
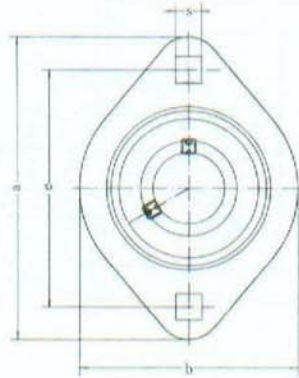
SAPFL2  
(SA2-Fitted)

Pressed Housing Flange Units  
(Light-duty)

SBPFL2  
(SB2-Fitted)



SAPFL



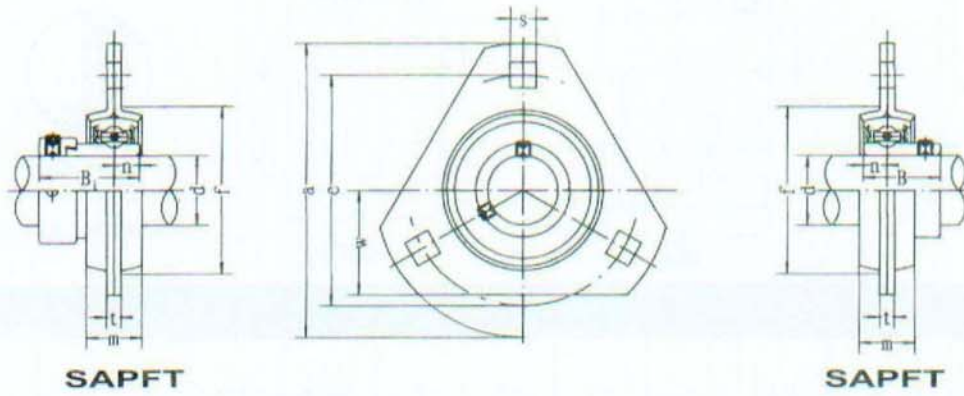
SBPFL

Unit No.	Dimensions									SAPFL				SBPFL				Housing No.
	d	a	e	b	m	S	t	f (min)	Bolt used mm In.	B <sub>v</sub>	n	Bearing No.	Weight (kg)	B	n	Bearing No.	Weight (kg)	
SAPFL 201	12	81	63.5	59	14	7.1	4	49	M6	28.6	6.5	SA201		22	6	SB201		PFL203
SBPFL 201-8	12											SA201-8				SB201-8		
202	15											SA202				SB202		
202-9	9/16	3-3/16	2-1/2	2-21/64	9/16	1-59/64	0.157	1-59/64	1/4	1.1200	0.2559	SA202-9	0.22	0.8661	0.2362	SB202-9	0.19	
202-10	5/8											SA202-10				SB202-10		
203	17											SA203				SB203		
203-11	11/16											SA203-11				SB203-11		
SAPFL 204	20	90	71.5	67	16	9	4	56	M8	31	7.5	SA204		25	7	SB204	0.24	PFL204
SBPFL 204-12	3/4	3-35/64	2-13/16	2-41/64	5/8	23/64	0.157	2-13/64	5/16	1.2204	0.2953	SA204-12	0.24	0.9643	0.2756	SB204-12		
SAPFL 205	25	95	76	71	18	9	4	60	M8	31	7.5	SA205		27	7.5	SB205		PFL205
SBPFL 205-13	13/16											SA205-13				SB205-13	0.28	
205-14	7/8	3-3/4	2-63/64	2-51/64	23/32	23/64	0.157	2-23/64	5/16	1.2204	0.2953	SA205-14	0.32	1.0630	0.2953	SB205-14		
205-15	15/16											SA205-15				SB205-15		
205-16	1											SA205-16				SB205-16		
SAPFL 206	30	113	90.5	84	18	11	5.2	71	M10	35.7	9	SA206		30	8	SB206		PFL206
SBPFL 206-17	1-1/16											SA206-17				SB206-17		
206-18	1-1/8	4-7/16	3-9/16	3-5/16	23/32	7/16	0.205	2-51/64	3/8	1.4055	0.3543	SA206-18	0.41	1.1811	0.3150	SB206-18	0.38	
206-19	1-3/16											SA206-19				SB206-19		
206-20	1-1/4											SA206-20				SB206-20		
SAPFL 207	35	122	100	94	20	11	5.2	81	M10	38.9	9.5	SA207		32	8.5	SB207		PFL207
SBPFL 207-20	1-1/4											SA207-20				SB207-20	0.50	
207-21	1-5/16	4-13/16	3-15/16	3-45/64	25/32	7/16	0.205	3-3/16	3/8	1.5315	0.3740	SA207-21	0.52	1.2598	0.3346	SB207-21		
207-22	1-3/8											SA207-22				SB207-22		
207-23	1-7/16											SA207-23				SB207-23		
SAPFL 208	40	148	119	100	21	13.5	6.8	91	M12	43.7	11	SA208		34	9	SB208	0.80	PFL208
SBPFL 208-24	1-1/2	5-13/16	4-11/16	3-15/16	13/16	17/32	0.268	3-37/64	1/2	1.7205	0.4331	SA208-24	0.83	1.3386	0.3543	SB208-24		
208-25	1-9/16											SA208-25				SB208-25		

**SAPFT2**  
(SA2-Fitted)

**Pressed Housing Flange Units**  
(Light-duty)

**SBPFT2**  
(SB2-Fitted)



SAPFT

SAPFT

Unit No.	Dimensions								Bolt used mm In.	SAPFT				SBPFT				Housing No.
	d	a	e	w	m	s	t	f (min)		B.	n	Bearing No.	Weight (kg)	B	n	Bearing No.	Weight (kg)	
SAPFT SBPFT 201	12	81	63.5	28.5	14	7.1	4	49	M6	28.6	6.5	SA201		22	6	SB201		PFT203
201-8	1/2																	
202	15																	
202-9	9/16	3-3/16	2-1/2	1-1/8	9/16	9/32	0.157	1-59/64	1/4	1.1260	0.2558	SA202-9	0.26	0.8661	0.2362	SB202-9	0.23	
202-10	5/8											SA202-10				SB202-10		
203	17											SA203				SB203		
203-11	11/16											SA203-11				SB203-11		
SAPFT SBPFT 204	20	90	71.5	33	16	9	4	56	M8	31	7.5	SA204		25	7	SB204	0.26	PFT204
204-12	3/4	3-35/64	2-13/16	1-19/64	5/8	23/64	0.157	2-13/64	5/16	1.2204	0.2953	SA204-12	0.28	0.9643	0.2756	SB204-12		
SAPFT SBPFT 205	25	95	76	35	18	9	4	60	M8	31	7.5	SA205		27	7.5	SB205		PFT205
205-13	13/16																	
205-14	7/8	3-3/4	2-63/64	1-3/8	23/32	23/64	0.157	2-23/64	5/16	1.2204	0.2953	SA205-14	0.36	1.0630	0.2953	SB205-14	0.36	
205-15	15/16											SA205-15				SB205-15		
205-16	1											SA205-16				SB205-16		
SAPFT SBPFT 206	30	113	90.5	40	18	11	5.2	71	M10	35.7	9	SA206		30	8	SB206		PFT206
206-17	1-1/16																	
206-18	1-1/8	4-7/16	3-9/16	1-37/64	23/32	7/16	0.205	2-51/64	3/8	1.4055	0.3543	SA206-18	0.58	1.1811	0.3150	SB206-18	0.55	
206-19	1-3/16											SA206-19				SB206-19		
206-20	1-1/4											SA206-20				SB206-20		
SAPFT SBPFT 207	35	122	100	44.5	20	11	5.2	81	M10	38.9	9.5	SA207		32	8.5	SB207		PFT207
207-20	1-1/4																	
207-21	1-5/16	4-13/16	3-15/16	1-3/4	25/32	7/16	0.205	3-3/16	3/8	1.5315	0.3740	SA207-21	0.82	1.2598	0.3348	SB207-21	0.74	
207-22	1-3/8											SA207-22				SB207-22		
207-23	1-7/16											SA207-23				SB207-23		